



# MEGALIT II

462W Harbour and Outdoor  
LED Area Lighting Luminaire

Order Code : 3112354  
Product Code : MGL 462Z 50CM00 60 LLLL



## Product Data

### Standard Features

Housing	: Corrosion resistant, electrostatic powder coated compressed die-cast aluminium housing
Diffuser	: Tempered Glass
Angle	: 60° lens
IP Grade	: IP 66
Installation	: Floor Mounted
Light Source	: Power LED

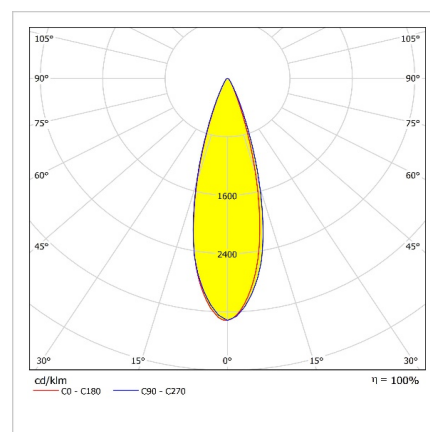
### Optical & Electrical Features

Power Consumption	: 462.2W
Final Luminous Flux	: 51764.2 lm
Efficacy	: 111 lm/W
Input Voltage	: 220-240 V AC
Frequency	: 50-60 Hz
Power Factor	: > 0,9
Drive Current	: 741.6mA
Correlated Color Temperature	: 5000K
Color Rendering Index	: >70

### Other Features & Conditions

Operating Temperature Range	: -20 °C/+50 °C
Impact Resistance	: IK 08
Led Life Time - L70	: 50.000 hours @Ta= 50 °C

## Photometric Curve



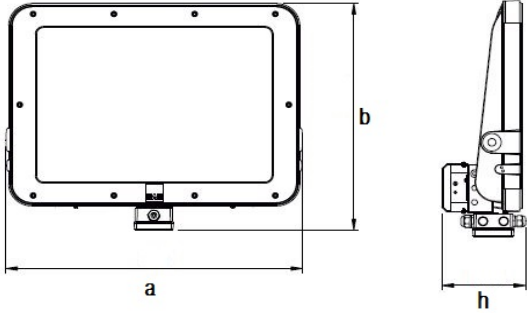
### Optional Features

Angle Options : 12°, 18°, 30°

## MEGALIT II

462W Harbour and Outdoor LED Area Lighting Luminaire

3112354 MGL 462Z 50CM00 60 LLLL



### Dimensions (mm)

	a	b	h
Standard	691	492	178



### Weight (kg)

Standard	24
----------	----

- EAE, reserves the right to make changes without prior notice.

**engineering the light**

**EAE Aydınlatma A.Ş.**

İkitelli Organize Sanayi Bölgesi Eski Turgut Özal Caddesi No:20 Başakşehir / İSTANBUL-TURKEY Phone: +90 212 413 21 00 Fax: +90 212 549 37 90  
[www.eaeaydinlatma.com.tr](http://www.eaeaydinlatma.com.tr)

Revision date: 28.03.2017